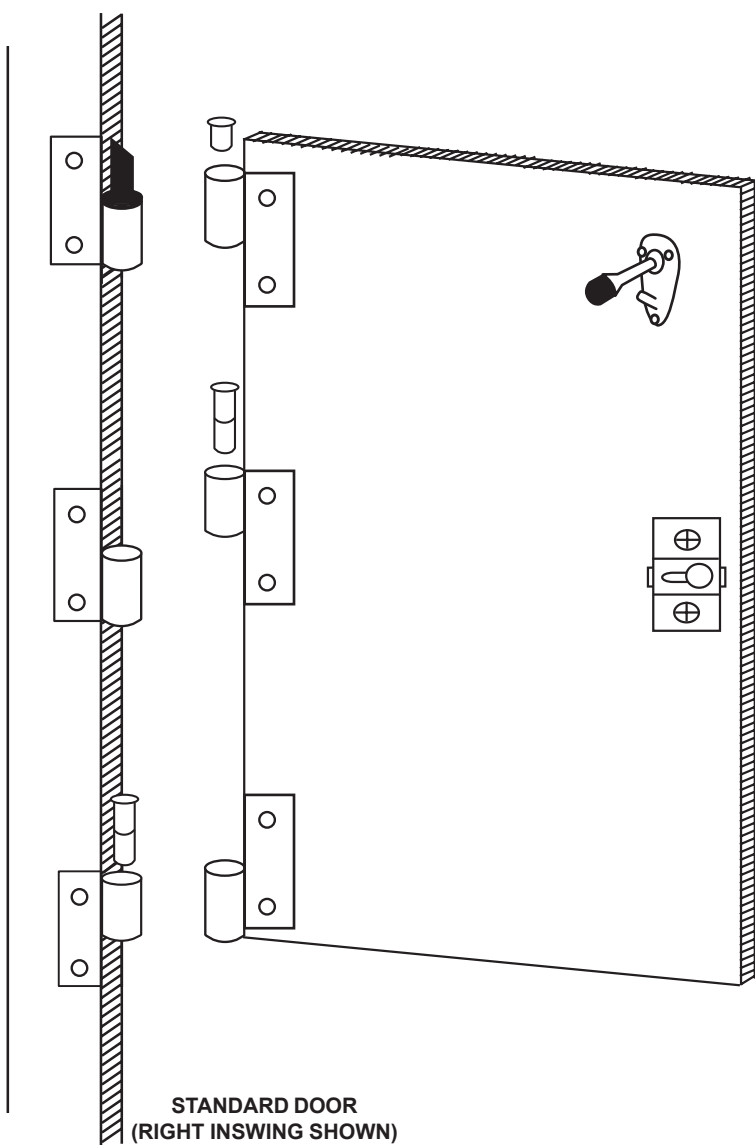


WEIS / **Robart**
Partitions, Inc.
 Since 1876

ERECTION DETAILS AND ELEVATIONS

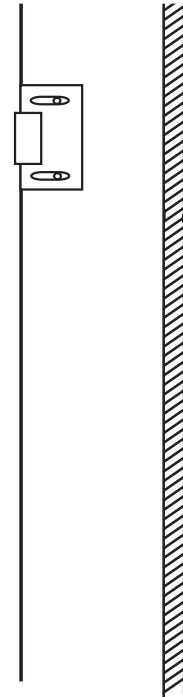
WEIS/PHENOLIC



CONSULT NATIONAL, STATE & LOCAL BUILDING CODES PRIOR TO ORDERING AND/OR INSTALLING TOILET PARTITIONS.

INSTALL TOILET PARTITIONS AND SCREENS IN STRICT ACCORDANCE WITH APPROVED SHOP DRAWINGS.

INSTALLER SHALL BE QUALIFIED TO INSTALL TOILET PARTITIONS AND HAVE THE EXPERIENCE OF COMPLETING SIMILAR PROJECTS WITHIN THIS INDUSTRY.



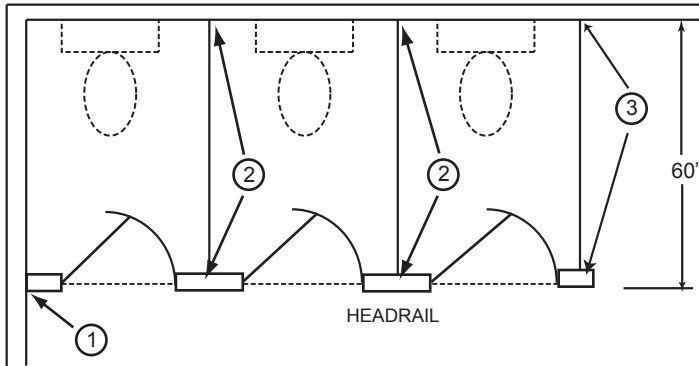
DRAW 3
REVISED
08/06 ELP

THE MANUFACTURER RESERVES THE RIGHT TO MAKE CHANGES AND/OR IMPROVEMENTS IN DESIGNS & DIMENSIONS WITHOUT NOTICE AND WITHOUT INCURRING OBLIGATION

CONSULT NATIONAL, STATE & LOCAL BUILDING CODES PRIOR TO ORDERING AND/OR INSTALLING TOILET PARTITIONS.

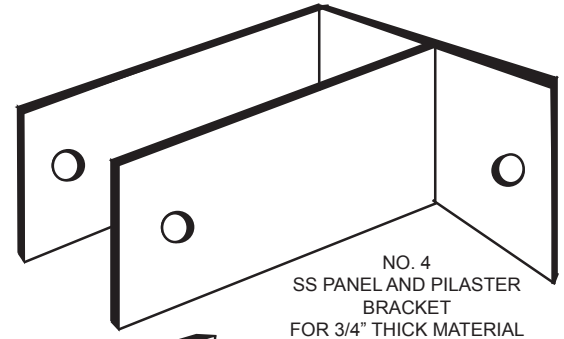
INSTALL TOILET PARTITIONS AND SCREENS IN STRICT ACCORDANCE WITH APPROVED SHOP DRAWINGS.

INSTALLER SHALL BE QUALIFIED TO INSTALL TOILET PARTITIONS AND HAVE THE EXPERIENCE OF COMPLETING SIMILAR PROJECTS WITHIN THIS INDUSTRY.

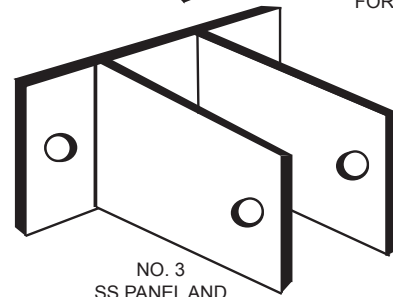


OTHER DEPTHS AVAILABLE

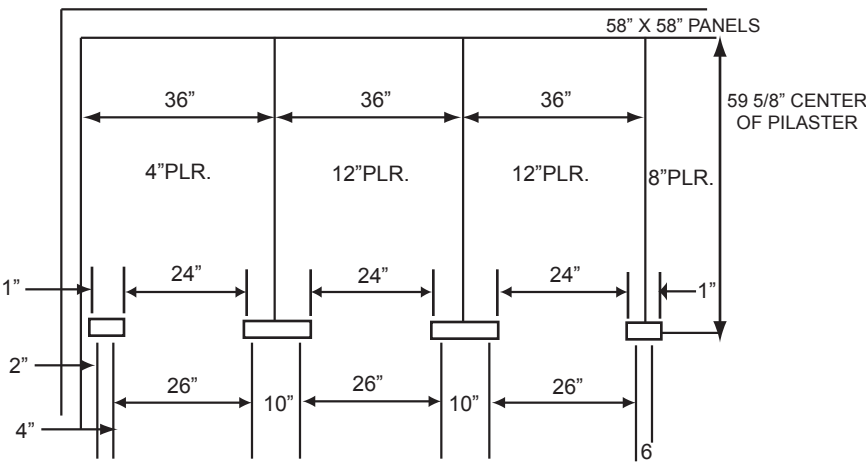
- (1) 19023-01 SS HDWE.KIT WALL STILE
- (2) 19023-02 SS HDWE.KIT INT. PART'N.
- (3) 19023-03 SS HDWE.KIT END PART'N.



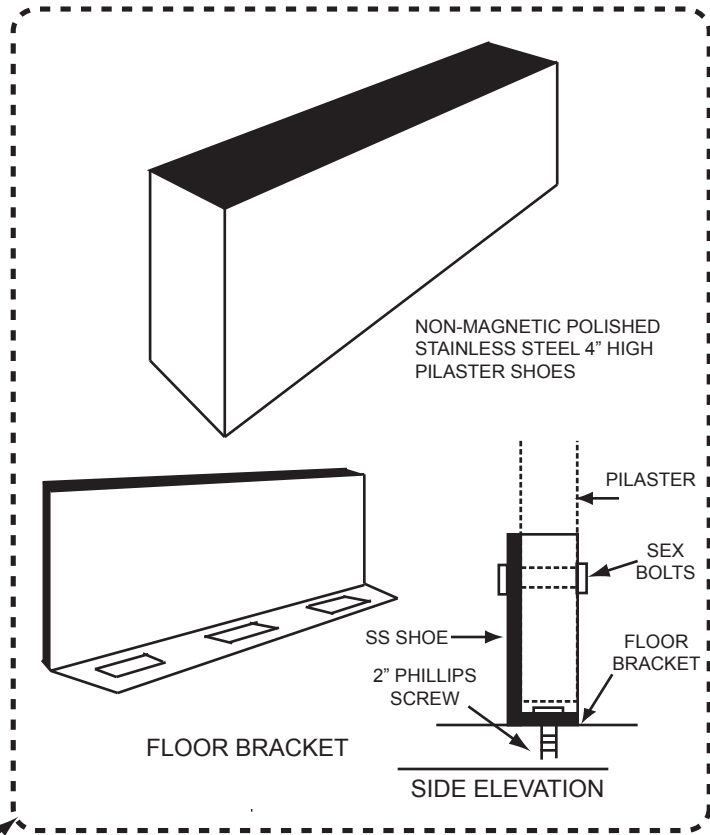
NO. 4
 SS PANEL AND PILASTER
 BRACKET
 FOR 3/4" THICK MATERIAL



NO. 3
 SS PANEL AND
 PILASTER BRACKET
 FOR 3/4" THICK MATERIAL



PILASTER FLOOR DRILLING CENTERS

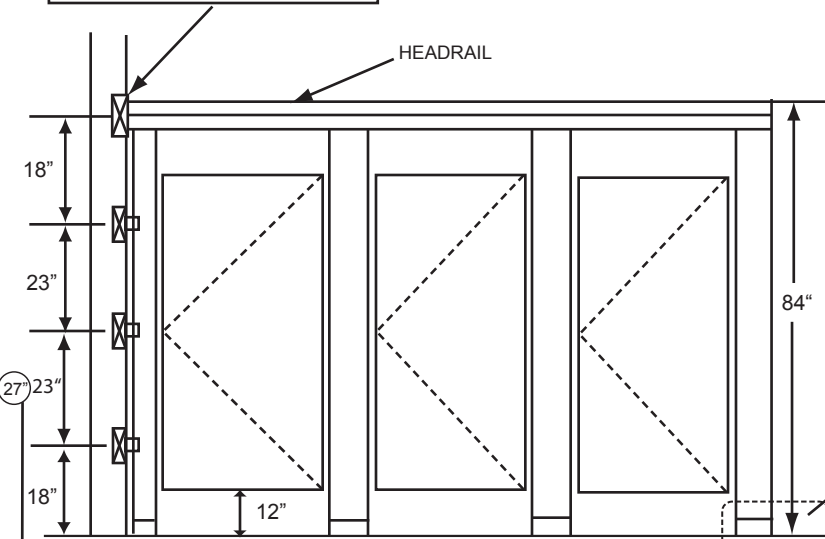


NON-MAGNETIC POLISHED
 STAINLESS STEEL 4" HIGH
 PILASTER SHOES

FLOOR BRACKET

SIDE ELEVATION

NOTE : WOOD BLOCKING BY OTHERS



(WALL BRACKET LOCATIONS)

STANDARD COMPARTMENT ELEVATION

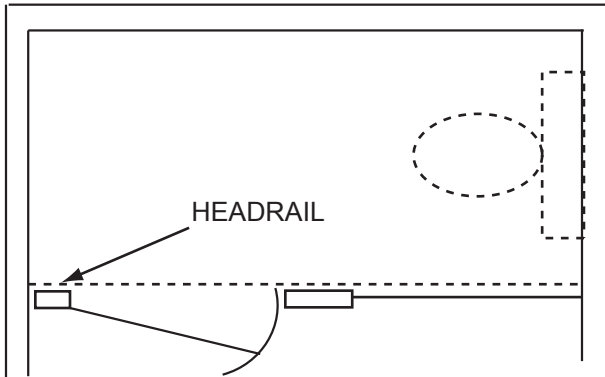
FOR 3" PILASTER OR SMALLER

THE MANUFACTURER RESERVES THE RIGHT TO MAKE CHANGES AND/OR IMPROVEMENTS IN DESIGNS & DIMENSIONS WITHOUT NOTICE AND WITHOUT INCURRING OBLIGATION

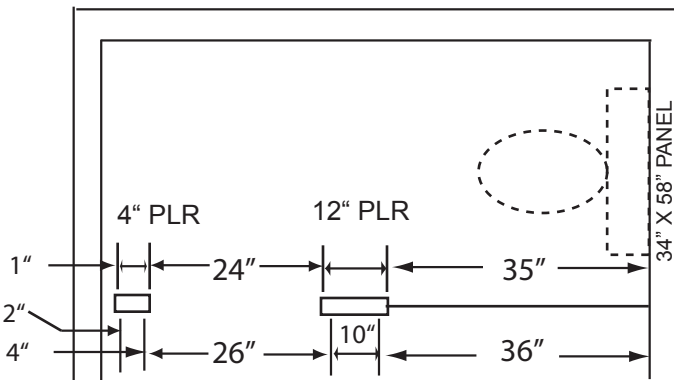
CONSULT NATIONAL, STATE & LOCAL BUILDING CODES PRIOR TO ORDERING AND/OR INSTALLING TOILET PARTITIONS.

INSTALL TOILET PARTITIONS AND SCREENS IN STRICT ACCORDANCE WITH APPROVED SHOP DRAWINGS.

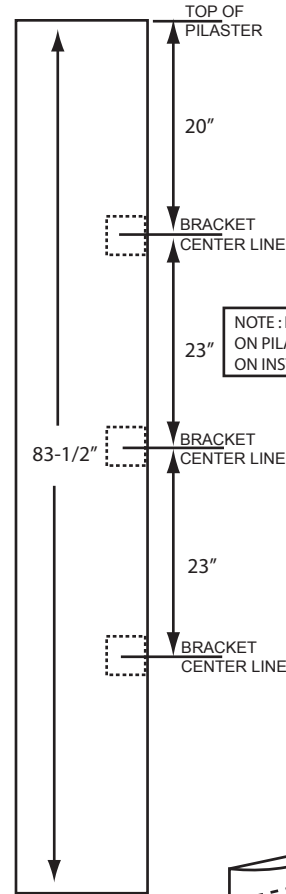
INSTALLER SHALL BE QUALIFIED TO INSTALL TOILET PARTITIONS AND HAVE THE EXPERIENCE OF COMPLETING SIMILAR PROJECTS WITHIN THIS INDUSTRY.



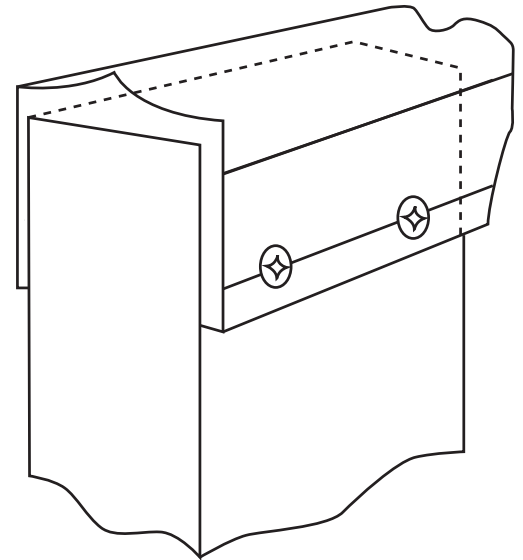
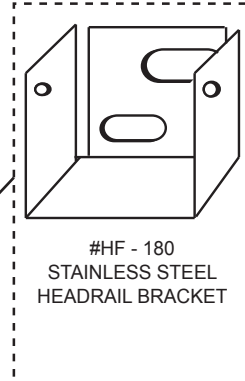
④ 19023-04 SS HDWE. KIT ALCOVE



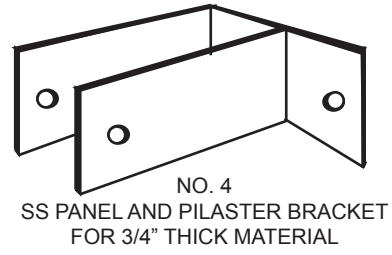
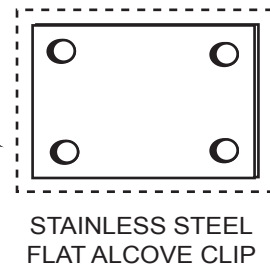
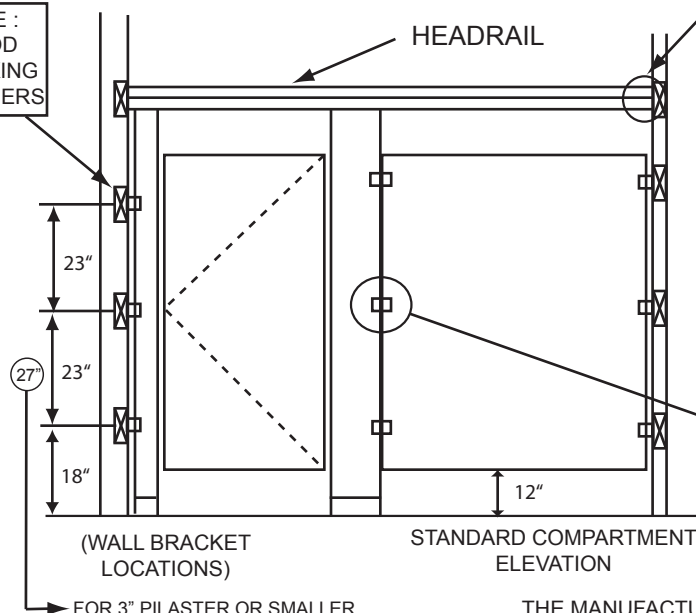
PILASTER FLOOR DRILLING CENTERS



NOTE: LOCATION OF BRACKET ON PILASTER TO BE DETERMINED ON INSTALLATION DRAWING.



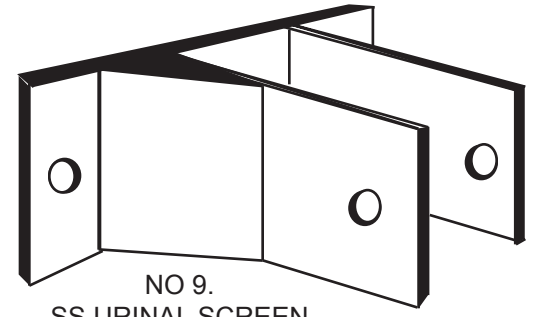
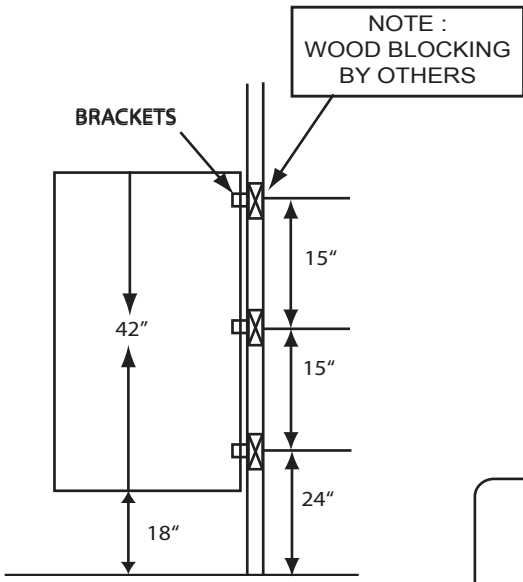
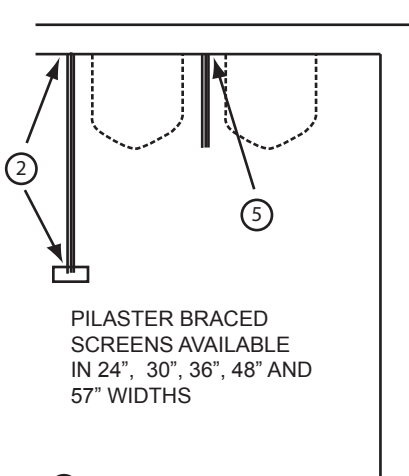
NOTE: WOOD BLOCKING BY OTHERS



CONSULT NATIONAL, STATE & LOCAL BUILDING CODES PRIOR TO ORDERING AND/OR INSTALLING TOILET PARTITIONS.

INSTALL TOILET PARTITIONS AND SCREENS IN STRICT ACCORDANCE WITH APPROVED SHOP DRAWINGS.

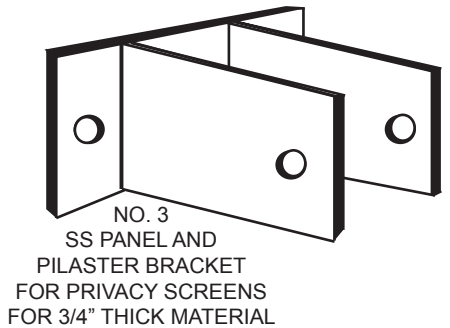
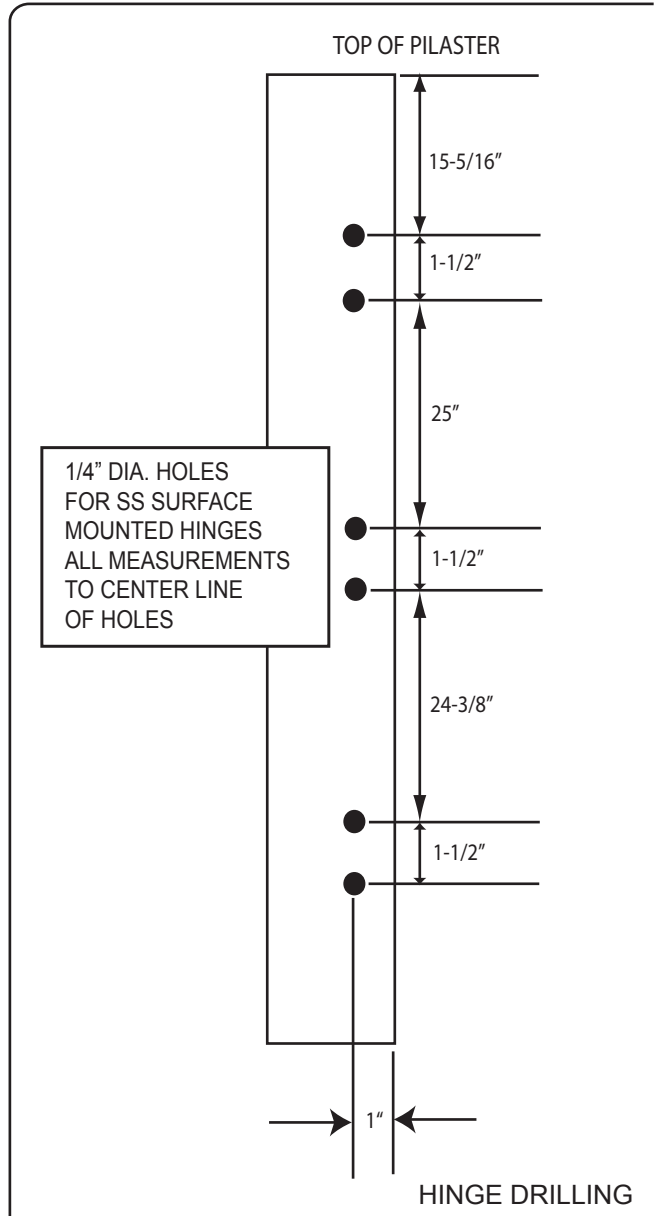
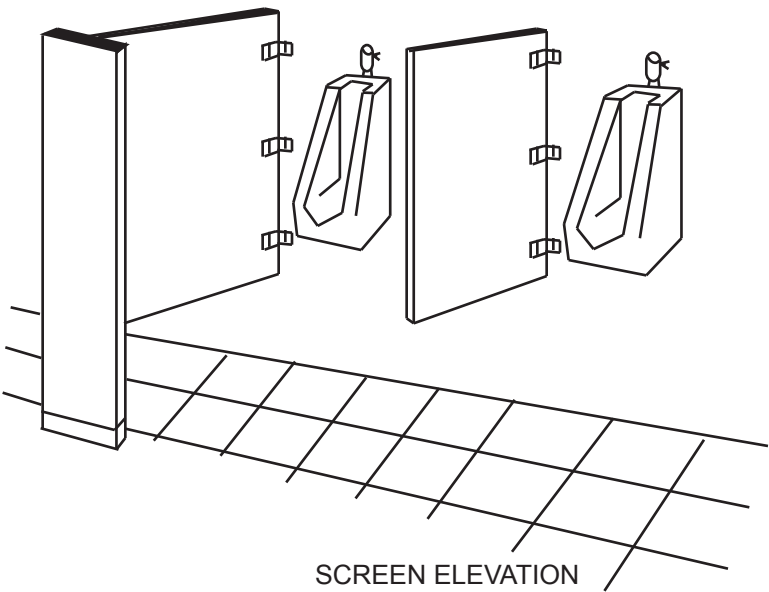
INSTALLER SHALL BE QUALIFIED TO INSTALL TOILET PARTITIONS AND HAVE THE EXPERIENCE OF COMPLETING SIMILAR PROJECTS WITHIN THIS INDUSTRY.



NO. 9.
 SS URINAL SCREEN BRACKET
 FOR WALL HUNG SCREENS
 FOR 3/4" THICK MATERIAL

② 19023-02 SS HDWE.KIT

⑤ WALL HUNG SCREEN
 24" X 42" AND 18" X 42"
 19042-01 SS BRACKET PK.



NO. 3
 SS PANEL AND PILASTER BRACKET
 FOR PRIVACY SCREENS
 FOR 3/4" THICK MATERIAL

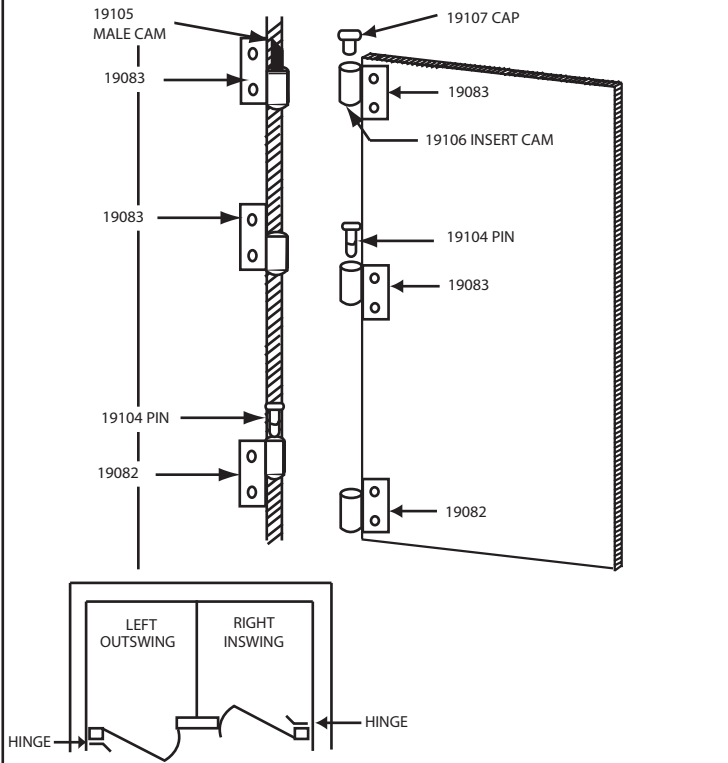
Since 1876

CONSULT NATIONAL, STATE & LOCAL BUILDING CODES PRIOR TO ORDERING AND/OR INSTALLING TOILET PARTITIONS.

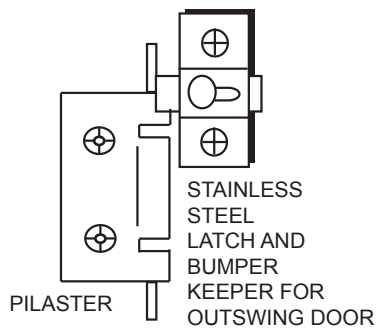
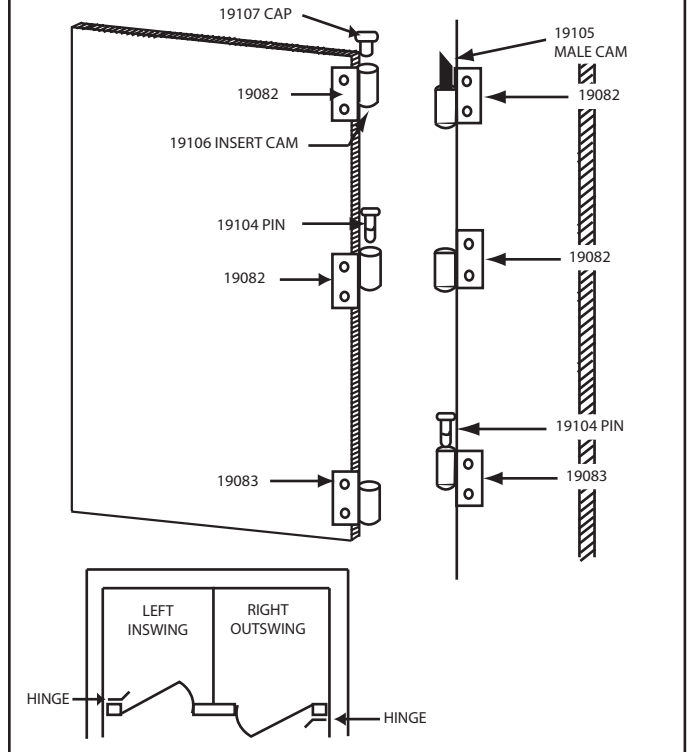
INSTALL TOILET PARTITIONS AND SCREENS IN STRICT ACCORDANCE WITH APPROVED SHOP DRAWINGS.

INSTALLER SHALL BE QUALIFIED TO INSTALL TOILET PARTITIONS AND HAVE THE EXPERIENCE OF COMPLETING SIMILAR PROJECTS WITHIN THIS INDUSTRY.

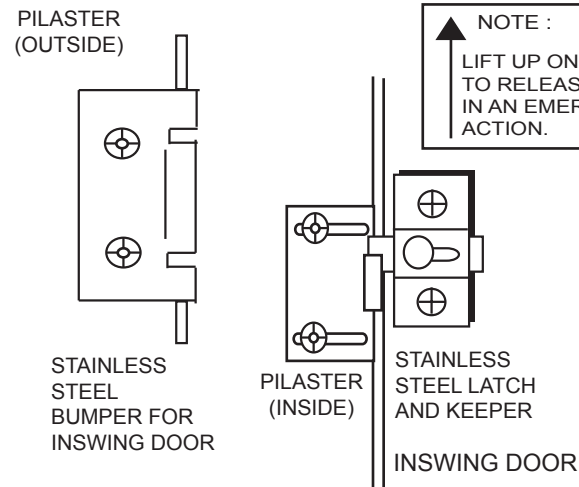
RIGHT HAND INSWING OR LEFT HAND OUTSWING INSTRUCTIONS FOR THREE HINGE INSTALLATION.



LEFT HAND INSWING OR RIGHT HAND OUTSWING INSTRUCTIONS FOR THREE HINGE INSTALLATION.



NOTE :
LIFT UP ON DOOR TO RELEASE LATCH IN AN EMERGENCY ACTION.

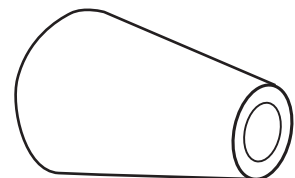


NOTE :
LIFT UP ON DOOR TO RELEASE LATCH IN AN EMERGENCY ACTION.

STAINLESS STEEL PULL HANDLES ARE PROVIDED FOR ALL HANDICAPPED DOORS & ALL STANDARD OUTSWING DOORS ONLY.



RUBBER WALL BUMPERS ARE PROVIDED FOR THE HANDICAPPED DOORS AND THE STANDARD OUTSWING DOORS ONLY.



THE MANUFACTURER RESERVES THE RIGHT TO MAKE CHANGES AND/OR IMPROVEMENTS IN DESIGNS & DIMENSIONS WITHOUT NOTICE AND WITHOUT INCURRING OBLIGATION